

PRECISION POWER SHUNT RESISTORS PSS

Precision power shunt resistor for current detection with high heat dissipation due to the back side aluminum plate.

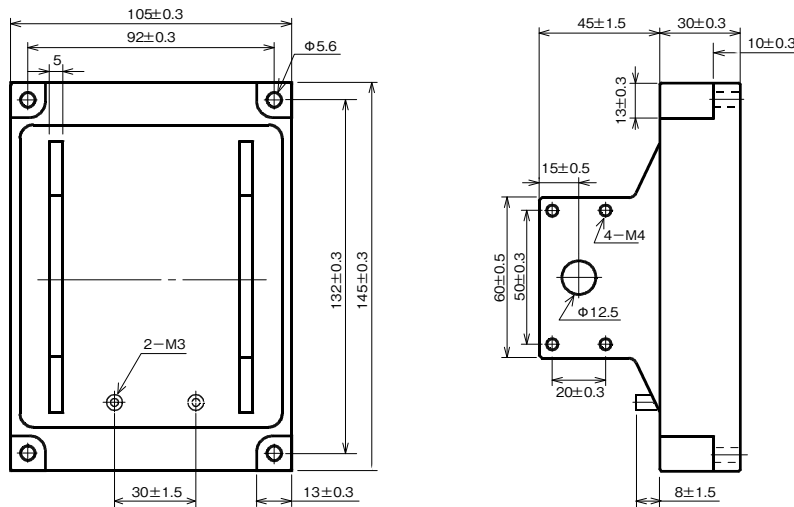
Features

- Max. Current : 1400 A (50 μΩ)
- Restriction on Temp. of Resistance Element : +125°C (Recommended: +100°C)
- Internal Thermal Resistance : 0.4°C/W (100 μΩ)

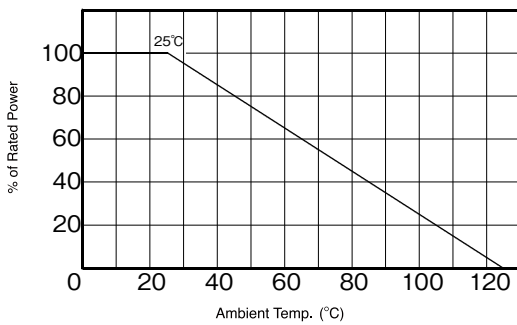
Type	Wattage Rating		Standard Resistance (μΩ)	Tolerance (%)	Temp.Coefficient (20°C~60°C) ppm/°C	Thermal EMF (0~100°C)	Operating Temp. (°C)
	Chassis Mounted	Free Air					
PSS	100	40	50, 100, 200, 500, 1000	±0.05, ±0.1, ±0.5, ±1	±5 ±10	2 μV/°C MAX	-55~+125

Weight : 1540g

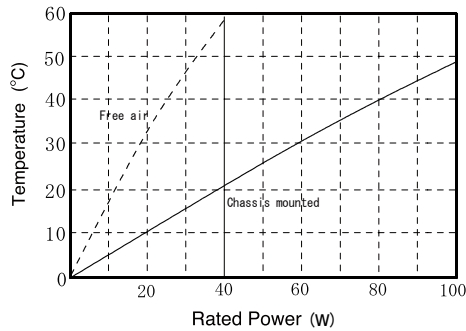
Shape & Dimensions



Ambient Temp. Derating Curve



Surface Temp. Versus Power Load.



Test Chassis Dimensions(mm)
 500 × 500 × 3t A ℓ
 (Thermal Resistance : About 0.36°C/W)
 Connection cable
 AWG4 15pcs × 2(On chassis)
 AWG4 9pcs × 2(Free air)

Parameters	Test Condition	Specification
Short Time Over Load	2×Wattage Rating 5sec	±0.05%
High Temperature Exposure	Temp.+85°C 1000Hr (Moisture 85%)	±0.05%
Dielectric Strength	AC1000V 1min.	±0.02%
Insulation Resistance	DC500V	1GΩ
Temp. Coefficient	Standard Temp.+25°C, Test Temp.+100°C	Fig.1
Load Life	Load Rating 1.5Hr ON 0.5Hr OFF Repeat 2000Hr	±0.2%

How to order

PSS	50 μΩ	B	TC05
Type	Resistance	Tolerance	Temp.Coefficient
	50 μΩ	A : ±0.05%	TC05 : ±5ppm/°C
	100 μΩ	B : ±0.1%	TC10 : ±10ppm/°C
	200 μΩ	D : ±0.5%	
	500 μΩ	F : ±1%	
	1000 μΩ		

●Order for a single piece accepted